

Products

Nylon Stuffing Tubes

Straight

45°

90°

N.P.T

"Y"

Packing Assemblies

Neoprene Plugs

Insulator Discs

Rubber Seals

Submarine Packing Assemblies

Navy Connectors

Electrical Plugs, Receptacles & Covers

Lenses, Globes & Tompions

Casualty Power Supply Terminals

Military Specifications

Corporate Information

Background

Contact

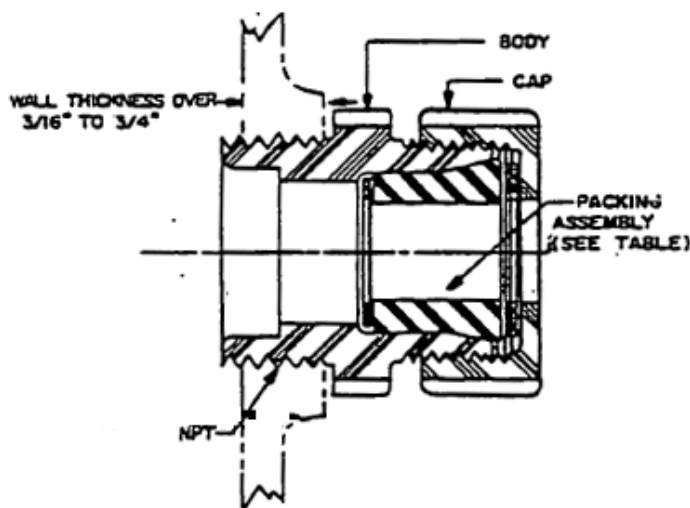
ISO 9001:2015 Certificate

TOP

ASTM Designation F1836M

To obtain a copy of this standard click on the ASTM logo above. Then enter F1836M in the site search box.

N.P.T. (NYST-3)

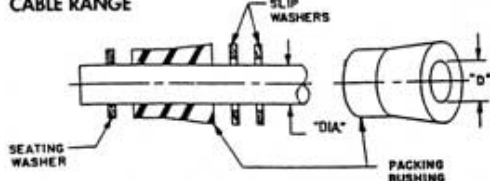


Each unit consists of body and cap.
Packing assemblies & neoprene plugs are available for all sizes.

MILITARY SPECIFICATION MIL-S-19622/3B (SH)
BODY M19622/7B(SH), CAP M19622/10B(SH)

Size	Part # NYST-3	Packing Assembly	Cable Range				N.P.T. Inch	Military Part # M19622/3	NSN 5975-00	Supersedes Part #
			Inch		MM (Metric)					
			Min.	Max.	Min.	Max.				
1	-001	NYST-16	.077	.296	1.96	7.52	1/2	-001	808-4063	MS 17039-1
2	-002	NYST-17	.275	.472	6.99	11.99	3/4	-002	808-4064	MS 17040-1
3	-003	NYST-18	.410	.472	10.41	11.99	1	-003	877-6955	MS 17273-1
4T	-004	NYST-19	.450	.777	11.43	19.74	1	-004	892-9259	MS 17041-1
5	-005	NYST-20	.752	1.113	19.10	28.27	1-1/2	-005	808-9272	MS 17042-1
6	-006	NYST-21	.806	1.390	20.47	35.31	2	-006	808-4066	MS 17043-1
7	-007	NYST-22	1.433	1.610	30.40	40.89	2-1/2	-007	808-4067	MS 17044-1
8	-008	NYST-23	1.625	2.000	41.28	50.80	3	-008	808-4068	MS 17045-1
9	-009	NYST-24	2.030	2.700	51.56	68.58	3-1/2	-009	808-4069	MS 17046-1

CABLE RANGE



Please select maximum inner diameter "D" of packing bushing that is nearest to the maximum outer diameter "DIA." of the cable or cord being used. Packing bushing I.D. must be equal to or slightly larger than cable maximum O.D.

For use with (but not limited to) cables and cords that meet IEEE-45, IEC 92-3 and US Navy Standards.

Cable & Cord Types

- POWER AND LIGHT
- COMMUNICATION
- ELECTRONIC
- SPECIAL PURPOSE
- CONTROL
- INSTRUMENTATION
- TELEPHONE
- PORTABLE CORDS

Watertight, Non-watertight, Flexing, Non-flexing service.