

Products

Nylon Stuffing Tubes

Straight

45°

90°

N.P.T

“Y”

Packing Assemblies

Neoprene Plugs

Insulator Discs

Rubber Seals

Submarine Packing Assemblies

Navy Connectors

Electrical Plugs, Receptacles & Covers

Lenses, Globes & Tompions

Casualty Power Supply Terminals

Military Specifications

Corporate Information

Background

Contact

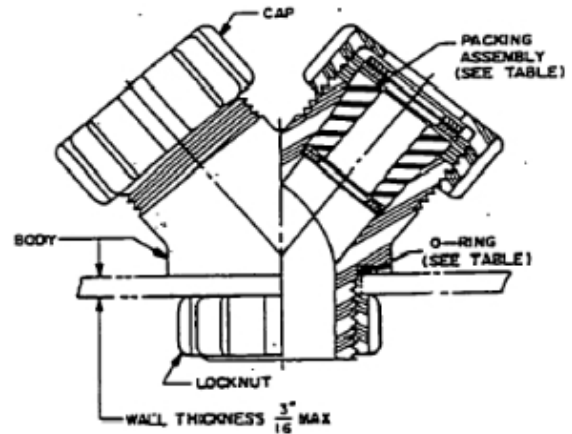
ISO 9001:2015 Certificate

TOP

ASTM Designation F1836M

To obtain a copy of this standard click on the ASTM logo above. Then enter F1836M in the site search box.

“Y” (NYST-4)



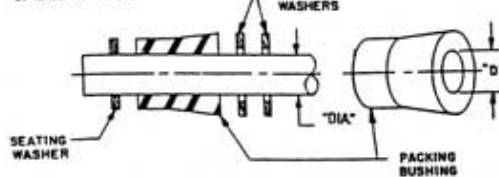
Each unit consists of body, caps, locknut and O-ring.
Packing assemblies & neoprene plugs are available for all sizes.

MILITARY SPECIFICATION MIL-S-19622/4B (SH)

BODY M19622/8A(SH), CAP M19622/10B(SH), LOCKNUT M19622/9A(SH)/M19622/15A(SH), O-RING MS28775

Size	Part # NYST-4	Packing Assembly	Cable Range				Clearance Hole Dia. for Tube Install		Military Part # M19622/4	NSN 5975-00
			Inch		MM (Metric)		Inch	MM		
			Min.	Max.	Min.	Max.				
1	-001	NYST-16	.077	.296	1.96	7.52	.885	22.48	-001	782-6139
2	-002	NYST-17	.275	.472	6.99	11.99	1.010	25.65	-002	782-6140
3	-003	NYST-18	.410	.472	10.41	11.99	1.135	28.83	-003	782-6141
4T	-004	NYST-19	.450	.777	11.43	19.74	1.385	35.18	-004	782-6142

CABLE RANGE



Please select maximum inner diameter “D” of packing bushing that is nearest to the maximum outer diameter “DIA.” of the cable or cord being used. Packing bushing I.D. must be equal to or slightly larger than cable maximum O.D.

For use with (but not limited to) cables and cords that meet IEEE-45, IEC 92-3 and US Navy Standards.

Cable & Cord Types

- POWER AND LIGHT
- COMMUNICATION
- ELECTRONIC
- SPECIAL PURPOSE
- CONTROL
- INSTRUMENTATION
- TELEPHONE
- PORTABLE CORDS

Watertight, Non-watertight, Flexing, Non-flexing service.